



功率型厚膜电阻器 RTP100型

Power Thick Film Resistors
Series RTP100

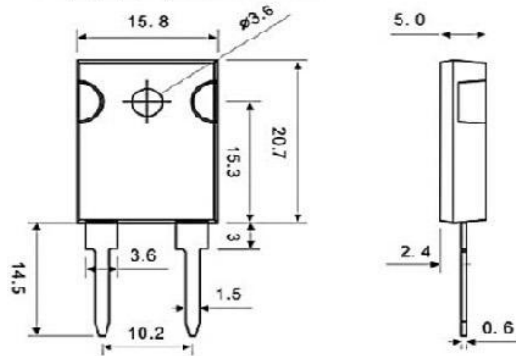
产品特点 FEATURES&APPLICATIONS

- 采用厚膜,无感设计,TO-247标准封装
- 额定功率: 100W (在底板中心温度 $\leq 25^{\circ}\text{C}$)
- 阻值范围宽
- 安装方便
- Using thick film, Non-inductive, TO-247 Standard package
- Rating power 100W (the temp of floor center less than 25°C)
- Wide ohmic value range
- Easy mounting

技术标准 Technical Standard

GB/T5729-2003 电子设备用固定电阻器
第一部分: 总规范

外形尺寸 DIMENSIONS



应用领域 Application Area

电力电子,汽车电工,医疗器械,电力传输,风力发电,光伏发电等新能源

技术说明 TECHNICAL SPECIFICATIONS

型号 TYPE	RTP100
功率 Power rating (25°C)	100W
热阻 Thermal resistance	$1.5^{\circ}\text{C}/\text{W}$
阻值范围 Resistance value range	$0.1\Omega\text{-}1\text{M}\Omega$
精度 Tolerance	$\pm 1\% \sim \pm 10\%$
温度系数 TCR	$\pm 150\text{ppm}/^{\circ}\text{C}$
最大工作电压 MAX. Working voltage	700V
绝缘层耐压 Dielectric Strength	1,800VAC
温度范围 Temperture range	$-55^{\circ}\text{C}\text{-}125^{\circ}\text{C}$
气候类别 Climatic category	55/125/56

更高参数可协商供货。

Special specifications can be supplied in consultation with customers.

所示功率需加装散热器,在无散热器的情况下功率为3.5W

The condition of the above power is needed to mount a heatsink if they has no heatsinks,the power only be 3.5W

降功耗曲线 Derating Curve

