



## 大功率被釉线绕电阻器RX20型

High Power Vitreous Enamelled Wire-wound Resistors Series RX20

### ◆产品特点 FEATURES&APPLICATIONS

采用高温玻璃釉作为表面涂层  
电阻体采用高温耐火瓷体或氧化铝瓷体,全焊接结构  
高温负荷特性优良  
T系列为可调,N系列为无感  
可提供安装套件(选购件)

High temperature vitreous enamel as the superficial coating

Uses the high temperature fireproof alumina porcelain body,full-welded constucture

Excellent high temperature load performance

T series is adjustable,N series is noninductive

Assembly and fittings(available)

### ◆执行标准 REFERENCE STANDARDS

Q/ATK044-2005

### ◆应用范围 APPLICATIONS

主要用于大型电源,电力设备,电器设备,机车等  
Mostly used in large scale power supply electical equipment,locomative etc

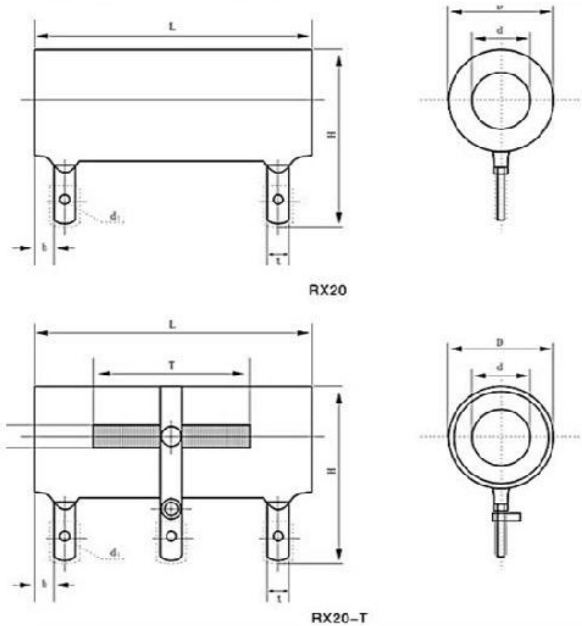
### ◆供货示例 ORDERING DATA

例如 Example

RX20	T	25W	100Ω	±5%	±250ppm	盒装
产品型号 Type	类型 Style	功率 Power	标称阻值 NoninalValue	精度 Toleranc	温度系数 TCR	包装方式 Packagin
RX20	T N	25W 300W	100Ω	±0.5% ±10%	±250ppm	盒装 box

可协议生产400-5000W电阻器 Our facory can also produce400-5000W non-standard resistors according to the requirement

### ◆外形尺寸 DIMENSIONS



### ◆降功耗曲线

